

# Up to 600W, 976nm, Fiber-Coupled, Multi-Bar Module Based on Conduction-Cooled, Tailored Bars

## Features

- Conduction-cooled diode laser bars inside
- Single wavelength
- High coupling efficiency
- Scalable output power
- Industrial water cooling

## Optional Accessories

- Integrated pointer laser and power meter
- Integrated NTC temperature sensor
- Fiber plug control



## Device Specification

Optical Parameters <sup>1, 2</sup>	Units		
Center Wavelength	nm		976 <sup>3</sup>
Wavelength Tolerance	nm		±2
Output Power	W		600 <sup>5</sup>
Spectral Width (FWHM)	nm		<5
Slope Efficiency	W/A		>22

Fiber Parameters			
Fiber Core Diameter	µm	200	400
Numerical Aperture	NA	0.22	0.11
Fiber Connector			QBH

Electrical Parameters <sup>1</sup>			
Power Conversion Efficiency	%		>45
Threshold Current (I <sub>TH</sub> )	A		<3.5
Operating Current (I <sub>OP</sub> )	A		<40
Operating Voltage (U <sub>OP</sub> )	V		<50

Thermal Parameters <sup>4</sup>			
Operating Temperature <sup>2, 3</sup>	°C		+20 to +25
Storage Temperature	°C		+0 to +55
Transportation Temperature	°C		-20 to +55
Coolant Flow Rate	l/h		600
Water Temperature	°C		+20 to +25
Purity	µm		Tap Water

<sup>1</sup>Data at 25°C cold water temperature, unless otherwise stated

<sup>2</sup>Reduced lifetime if used above nominal operating conditions

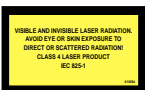
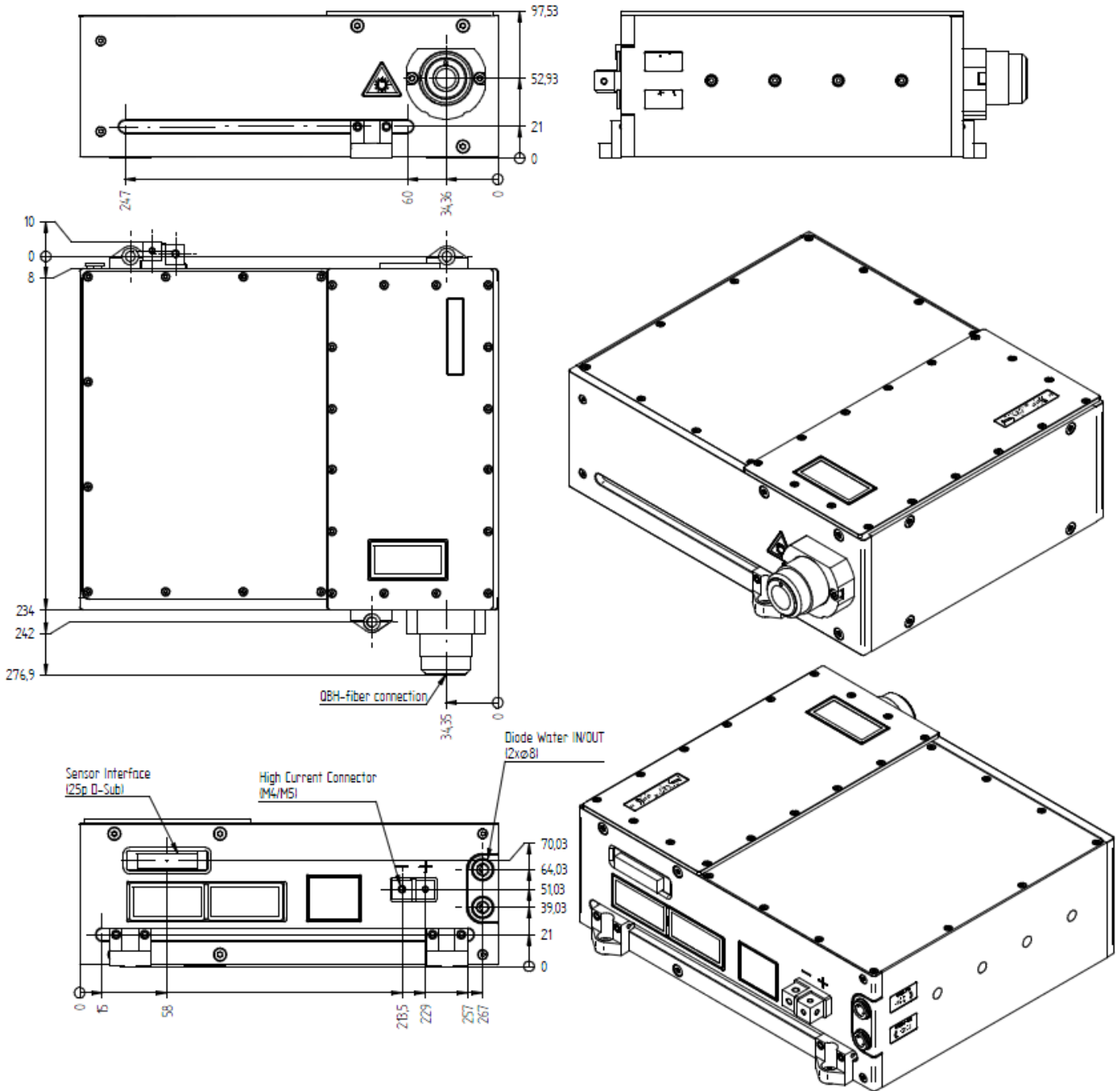
<sup>3</sup>Additional information available upon request

<sup>4</sup>A non-condensing environment is required for storage and operation below the ambient dew point

<sup>5</sup>For R&D purpose available up to 800W

# Up to 600W, 976nm, Fiber-Coupled, Multi-Bar Module Based on Conduction-Cooled, Tailored Bars

## Package Dimension



©2012 DILAS. All rights reserved. DILAS reserves the right to change products specifications without notice. For handling precautions, please reference the general handling instruction manual.

For complete details, please contact your local DILAS sales representative or visit our website at [www.DILAS.com](http://www.DILAS.com).

**Europe**  
DILAS Diodenlaser GmbH  
Galileo-Galilei-Straße 10  
55129 Mainz  
Germany  
Phone: +49 (0)6131 9226 0  
Fax: +49 (0)6131 9226 257  
Email: [sales@DILAS.de](mailto:sales@DILAS.de)

**North America**  
DILAS Diode Laser, Inc.  
9070 South Rita Road  
Suite 1500  
Tucson, AZ 85747  
Phone: +1 (520) 232-3480  
Fax: +1 (520) 232-3499  
Email: [sales@DILAS-INC.com](mailto:sales@DILAS-INC.com)

**China & Taiwan**  
DILAS Diodenlaser GmbH  
China Sales Office  
Room 206, Sunplus Technology, Bldg. 2  
No. 1077 Zu Chongzhi Road  
Hi-Tech Park, Shanghai 201203,  
P.R. China  
Phone: +86 (0) 21-6855-2216  
Fax: +86 (0) 21-5027-3793  
Email: [sales@dilas-china.com.cn](mailto:sales@dilas-china.com.cn)