

Conduction Cooled Single Bar Both Axis Collimated Diode Laser Module

Features

- High collimator efficiency
- Very low divergence in fast and slow axis
- Sealed housing
- Various wavelengths available



Device Specification

Optical ¹	Units	SS 4.3	SS 4.1
Center Wavelength Range ³	nm	808	808
Center Wavelength Tolerance	nm	±3	±3
Output Power ²	W (CW)	35	35
Spectral Width (FWHM)	nm	4	4
Slope Efficiency	W/A	≥0.9	≥0.9
Fast Axis Divergence ³	mrad	10	10
Slow Axis Divergence ³	mrad	10	20
Wavelength Temp. Coefficient	nm/°C	~0.27	~0.27

Electrical Parameters¹

Power Conversion Efficiency	%	>40	>40
Threshold Current (I_{TH})	A	<10	<10
Operating Current (I_{OP})	A	<50	<50
Operating Voltage (V_{OP})	V	<1.9	<1.9

Electrical Parameters¹

Operating Temperature Range ^{3, 4}	°C	+20 to 30
Storage Temperature Range ⁴	°C	0 to +55
Recommended Heatsink Capacity	W	≥70

¹Data at 20°C cold plate temperature.

²Reduced lifetime if used above nominal operating conditions.

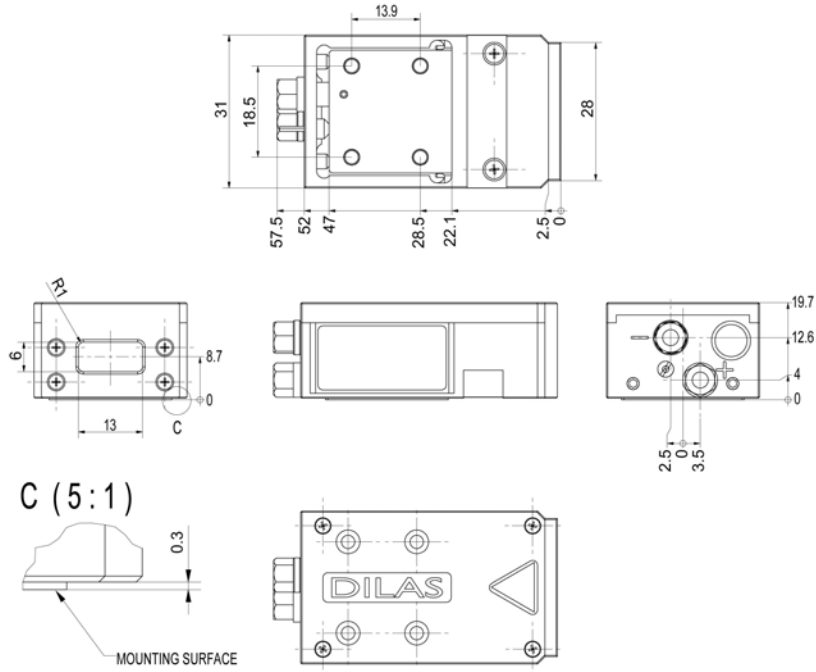
³Others available upon request.

⁴A non-condensing environment is required for storage and operation below the ambient dew point.

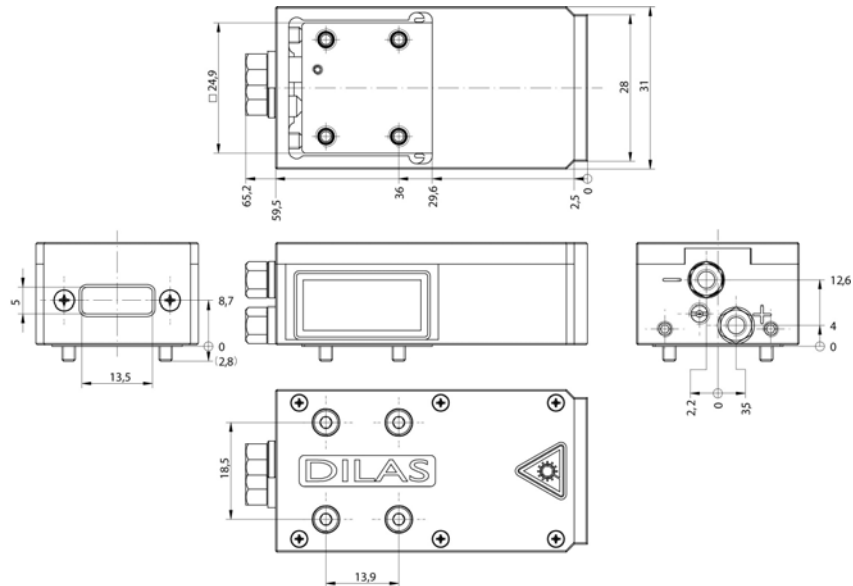
Conduction Cooled Single Bar Both Axis Collimated Diode Laser Module

Package Dimension

Module M1B-SS4.1



Module M1B-SS4.3



DILAS products specifications are subject to change without notice. For handling precautions, please reference the general handling instruction manual.

For complete details, please contact your local DILAS sales representative or visit our website at www.DILAS.com.

DILAS Diodenlaser GmbH
Galileo-Galilei-Straße 10
55129 Mainz
Germany
Phone: +49 (6131) 9226 0
Fax: +49 (6131) 9226 257
Email: Sales@DILAS.de
www.DILAS.com

DILAS Diode Laser, Inc.
9070 South Rita Road
Suite 1500
Tucson, AZ 85747
Phone: (520) 232-3484
Fax: (520) 232-3499
Email: Sales@DILAS-Inc.com
www.DILAS.com

