

# Up to 200W, 400µm Conduction Cooled Fiber-Coupled Multi Bar Module

## Features

- Single wavelength
- High coupling efficiency
- Thermal interface by base-plate
- Scalable output power

## Optional Accessories

- Integrated pointer laser
- Integrated power meter
- Integrated NTC temperature sensor
- Fiber detection sensor



## Device Specification

Optica Parameters <sup>1</sup>	Units					
Center Wavelength Range <sup>3</sup>	nm	808	915	940	980	1470
Center Wavelength Tolerance	nm	±3	±3	±3	±20	±20
Output Power <sup>2</sup>	W	200	200	200	200	80
Spectral Width (FWHM)	nm	<5	<5	<5	<5	<12
Slope Efficiency	W/A	>5	>4.4	>4.4	>4.4	>2
Wavelength Temp. Coefficient	nm/°C	~0.27	~0.31	~0.31	~0.31	~0.35

## Fiber Parameters

Numerical Aperture	NA	0.22	0.22	0.22	0.22	0.22
Fiber Core Diameter	µm	400	400	400	400	400
Fiber Connector		HP-SMA 905 with Free Standing Fiber Tips				

## Electrical Parameters<sup>1</sup>

Power Conversion Efficiency	%	>35	>35	>35	>35	>25
Threshold Current ( $I_{TH}$ )	A	<10	<8.5	<8.5	<7.5	<8
Operating Current ( $I_{OP}$ )	A	50 to 55	50 to 55	50 to 55	50 to 55	50 to 55
Operating Voltage ( $V_{OP}$ )	V	<12	<12	<12	<12	<9

## Thermal Parameters

Operating Temperature <sup>2, 3, 4</sup>	°C	+20 to +25				
Storage Temperature	°C	0 to +55				
Recommended Cooling Capacity	W	>300	>300	>300	>300	>300

<sup>1</sup>Data at 25°C cold plate temperature.

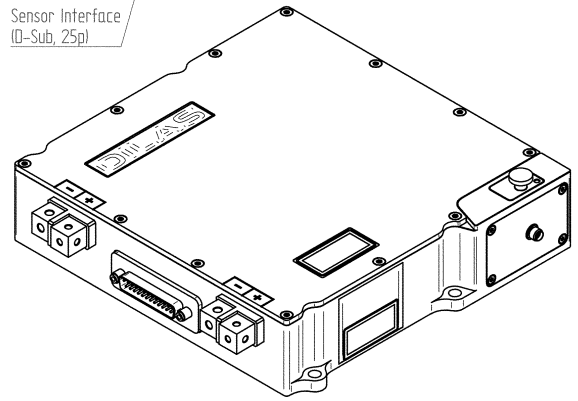
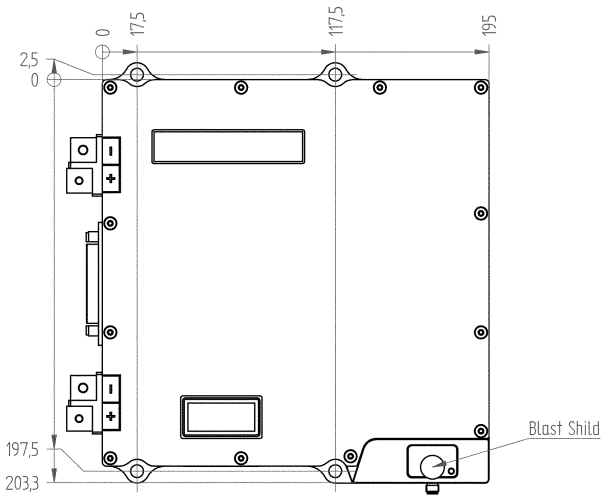
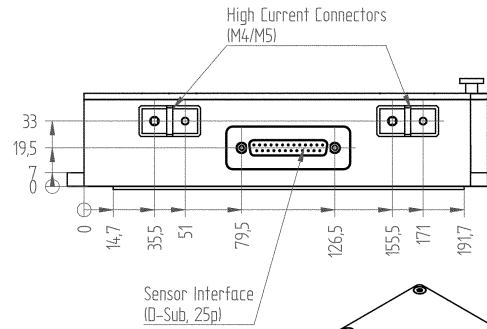
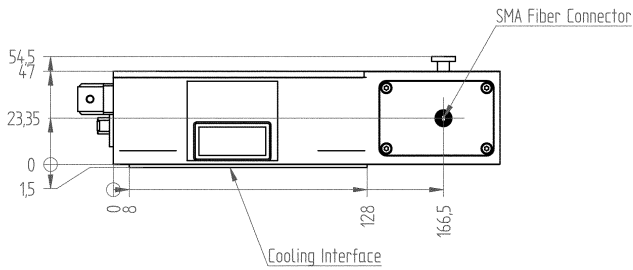
<sup>2</sup>Reduced lifetime if used above nominal operating conditions.

<sup>3</sup>Additional information available upon request.

<sup>4</sup>A non-condensing environment is required for storage and operation below the ambient dew point.

# Up to 200W, 400µm Conduction Cooled Fiber-Coupled Multi Bar Module

## Package Dimension



All rights reserved. DILAS reserves the right to change products specifications without notice. For handling precautions, please reference the general handling instruction manual.

For complete details, please contact your local DILAS sales representative or visit our website at [www.DILAS.com](http://www.DILAS.com).

**Europe**  
**DILAS Diodenlaser GmbH**  
Galileo-Galilei-Straße 10  
55129 Mainz  
Germany  
Phone: +49 (6131) 9226 0  
Fax: +49 (6131) 9226 257  
Email: [sales@DILAS.de](mailto:sales@DILAS.de)

**North America**  
**DILAS Diode Laser, Inc.**  
9070 South Rita Road  
Suite 1500  
Tucson, AZ 85747  
Phone: +1 (520) 232-3484  
Fax: +1 (520) 232-3499  
Email: [sales@DILAS-INC.com](mailto:sales@DILAS-INC.com)

**Asia**  
**DILAS Diodenlaser GmbH**  
China Sales Office  
Room 206, Sunplus Technology, Bldg. 2  
No. 1077 Zu Chongzhi Road  
Hi-Tech Park, Shanghai 201203,  
P.R. China  
Phone: +86 (0) 21-6855-2216  
Fax: +86 (0) 21-5027-3793  
Email: [sales@dilas-china.com.cn](mailto:sales@dilas-china.com.cn)