

# 400µm, 30W, 1064nm Conduction Cooled Single Bar Fiber Coupled Module

## Features

- High coupling efficiency
- High brightness
- Sealed housing
- Standard fiber coupling (HP-SMA) for 400µm NA 0.22

## Optional Accessories

- Integrated pilot laser (MF-WP Module)
- Monitor photo diode
- Interchangeable protective glass
- Temperature control for fiber connector
- Fiber detection sensor



## Device Specification

Optical <sup>1</sup>	Units	
Center Wavelength Range <sup>3</sup>	nm	1064
Center Wavelength Tolerance	nm	±20
Output Power <sup>2</sup>	W	30
Spectral Width (FWHM)	nm	<12
Slope Efficiency	W/A	±0.7
Wavelength Temp. Coefficient	nm/°C	-0.40

Fiber Parameters		
Numerical Aperture	NA	0.22
Fiber Core Diameter	µm	400
Fiber Connector		HP-SMA 905 with Free Standing Fiber Tips

Electrical Parameters <sup>1</sup>		
Power Conversion Efficiency	%	>35
Threshold Current (I <sub>TH</sub> )	A	<7
Operating Current (I <sub>OP</sub> )	A	<57
Operating Voltage (V <sub>OP</sub> )	V	<1.7

Thermal Parameters		
Operating Temperature <sup>3, 4</sup>	°C	+20 to +30
Storage Temperature <sup>4</sup>	°C	0 to +55
Recommended Heatsink Capacity	W	>70

<sup>1</sup>Data at 25°C cold plate temperature, unless otherwise stated.

<sup>2</sup>Reduced lifetime if used above nominal operating conditions.

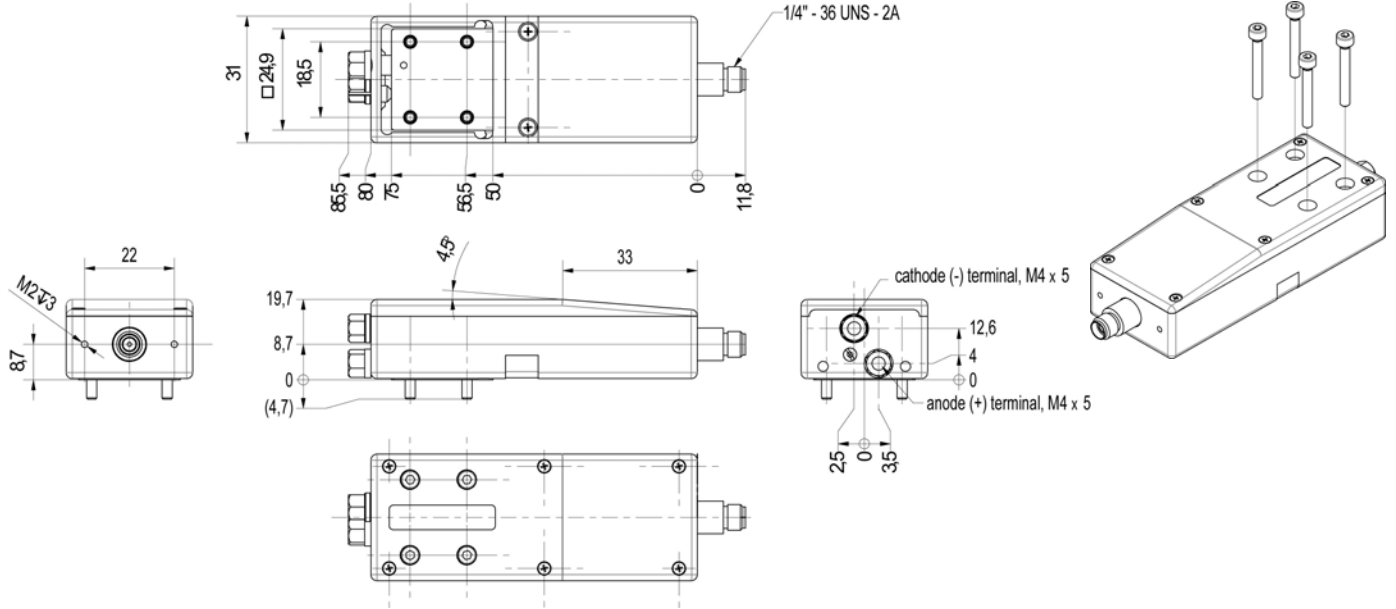
<sup>3</sup>Others available upon request.

<sup>4</sup>A non-condensing environment is required for storage and operation below the ambient dew point.

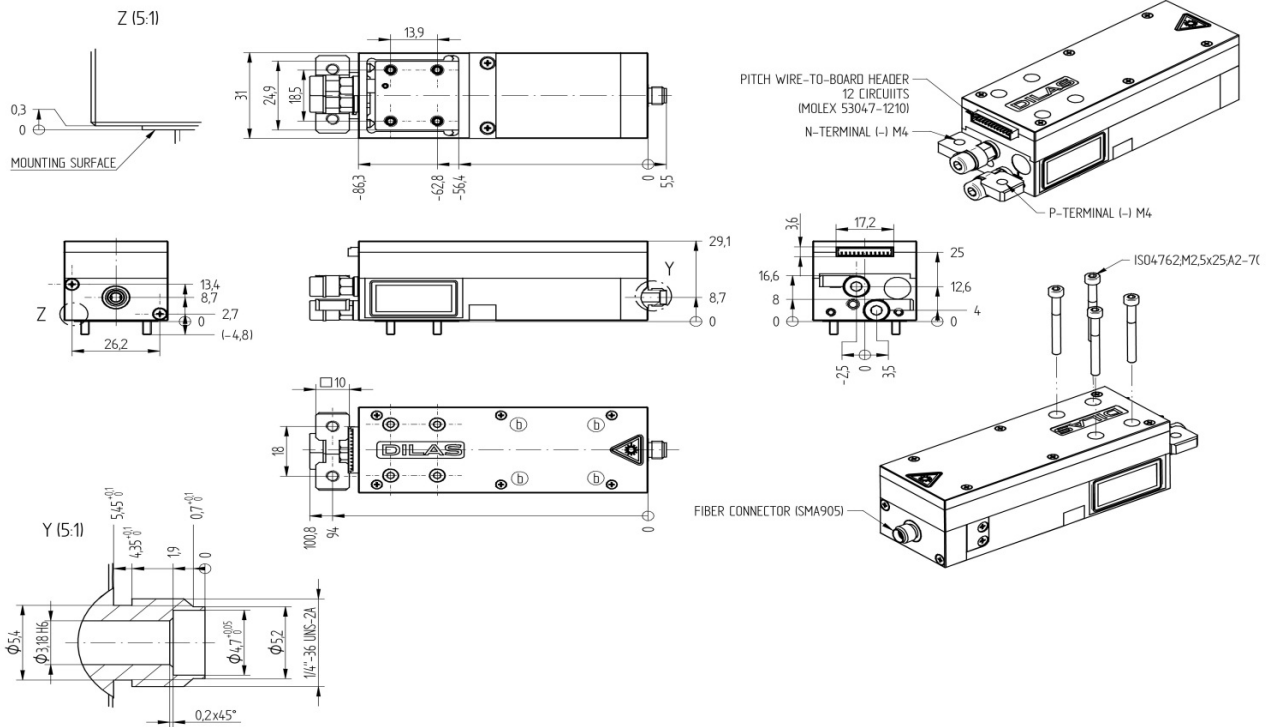
# 400µm, 30W, 1064nm Conduction Cooled Single Bar Fiber Coupled Module

## Package Dimension

### Module M1F-SS2.1



### Module M1F-SS5.2



DILAS products specifications are subject to change without notice. For handling precautions, please reference the general handling instruction manual.

For complete details, please contact your local DILAS sales representative or visit our website at [www.DILAS.com](http://www.DILAS.com).

**DILAS Diodenlaser GmbH**  
Galileo-Galilei-Straße 10  
55129 Mainz  
Germany  
Phone: +49 (6131) 9226 0  
Fax: +49 (6131) 9226 257  
Email: [Sales@DILAS.de](mailto:Sales@DILAS.de)  
[www.DILAS.com](http://www.DILAS.com)

**DILAS Diode Laser, Inc.**  
9070 South Rita Road  
Suite 1500  
Tucson, AZ 85747  
Phone: (520) 232-3484  
Fax: (520) 232-3499  
Email: [Sales@DILAS-Inc.com](mailto:Sales@DILAS-Inc.com)  
[www.DILAS.com](http://www.DILAS.com)