

300W, 200µm Fiber-Coupled, Multi-Bar Module

Features

- Conduction-cooled diode laser bars inside
- Single wavelength
- High coupling efficiency
- Scalable output power
- Industrial water cooling

Optional Accessories

- Integrated pointer laser and power meter
- Integrated NTC temperature sensor
- Fiber detection sensor



Device Specification

Optical ¹	Units	
Center Wavelength (Range) ³	nm	976
Center Wavelength Tolerance	nm	±3
Output Power ¹	W	300
Spectral Width (FWHM)	nm	5
Slope Efficiency	W/A	>7
Wavelength Temp. Coefficient ²	nm/°C	~0.34

Fiber Parameters		
Numerical Aperture	NA	0.20
Fiber Core	µm	200
Fiber Connector		QBH

Electrical Parameters ¹		
Power Conversion Efficiency	%	>35
Threshold Current (I _{TH})	A	<10
Operating Current (I _{OP})	A	<60
Operating Voltage (V _{OP})	V	<20

Thermal Parameters		
Operating Temperature ^{2,4}	°C	+20 to +35
Storage Temperature	°C	0 to +55
Flow	L/h	250 to 400
Water Temperature	°C	20 to 25
Purity	µm	10
Recommended Cooling Capacity	W	>900

¹Data at 20°C cooling temperature, unless otherwise stated.

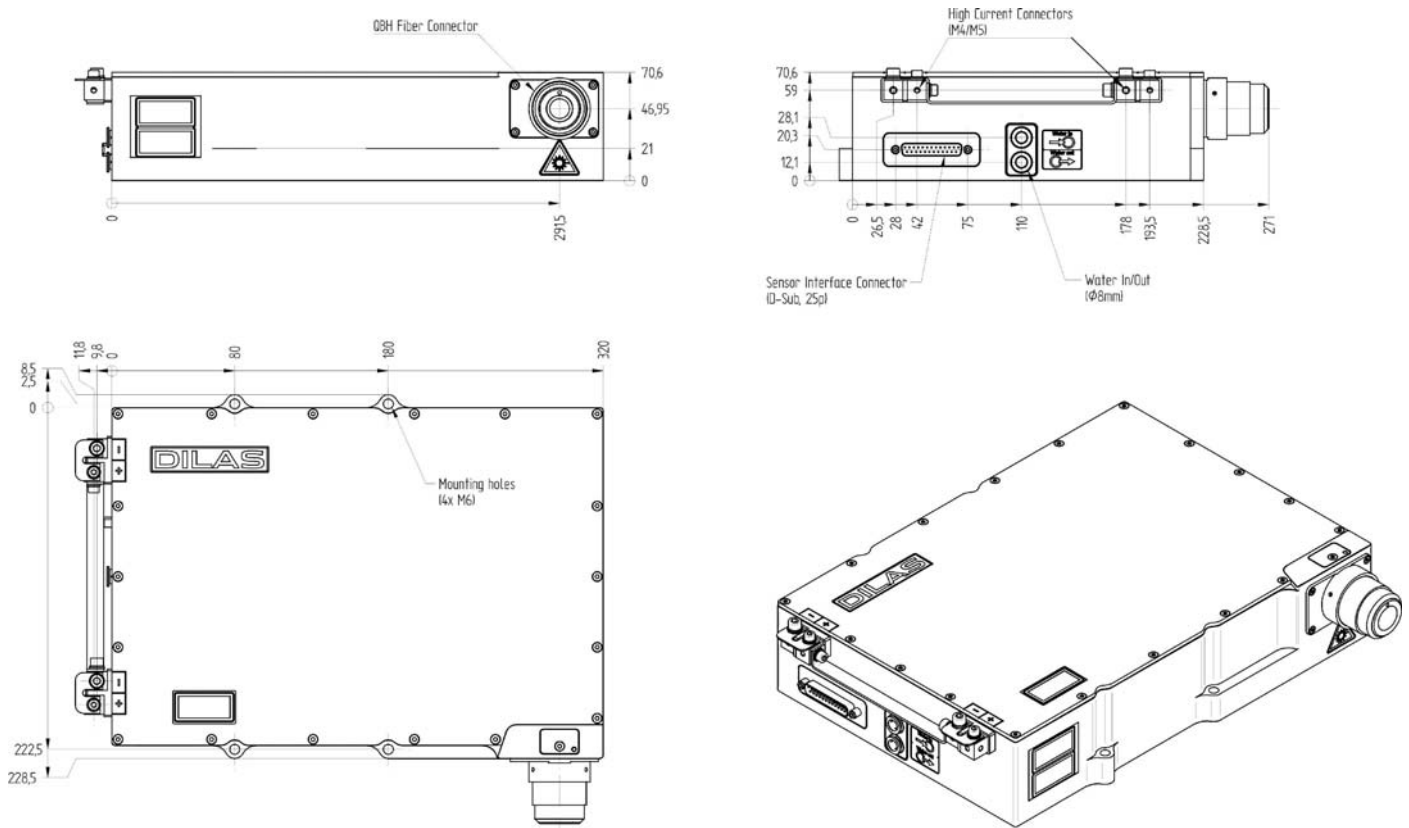
²Reduced lifetime if used above nominal operating conditions.

³Additional wavelength available upon request.

⁴A non-condensing environment is required for storage and operation below the ambient dew point.

300W, 200µm Fiber-Coupled, Multi-Bar Module

Package Dimension



©2009 DILAS. All rights reserved. DILAS reserves the right to change products specifications without notice. For handling precautions, please reference the general handling instruction manual.

For complete details, please contact your local DILAS sales representative or visit our website at www.DILAS.com.

Europe
DILAS Diodenlaser GmbH
Galileo-Galilei-Straße 10
55129 Mainz
Germany
Phone: +49 (6131) 9226 0
Fax: +49 (6131) 9226 257
Email: sales@DILAS.de

North America
DILAS Diode Laser, Inc.
9070 South Rita Road
Suite 1500
Tucson, AZ 85747
Phone: +1 (520) 232-3484
Fax: +1 (520) 232-3499
Email: sales@DILAS-INC.com

Asia
DILAS Diodenlaser GmbH
China Sales Office
Room 206, Sunplus Technology, Bldg. 2
No. 1077 Zu Chongzhi Road
Hi-Tech Park, Shanghai 201203,
P.R. China
Phone: +86 (0) 21-6855-2216
Fax: +86 (0) 21-5027-3793
Email: sales@dilas-china.com.cn