

**200µm, 30W, 808nm, 915nm, 976nm
Conduction-Cooled Single Bar, Fiber-Coupled Module**

Features

- High coupling efficiency
- High brightness
- Conduction-cooled
- Sealed housing
- Standard fiber coupling (HP-SMA) for 200µm NA 0.22

Optional Accessories

- Integrated pilot laser
- Monitor photo diode
- Interchangeable protective glass
- Temperature control for fiber connector
- Fiber detection sensor



Device Specification

Optical Parameters ¹		Units			
Center Wavelength Range ³	nm	808	915	976	
Center Wavelength Tolerance	nm	±3	±3	±3	
Output Power per Bar ²	W	30	30	30	
Spectral Width (FWHM)	nm	4	4	4	
Slope Efficiency per Bar	W/A	>0.7	>0.7	>0.7	
Wavelength Temp. Coefficient ³	nm/°C	~0.28	~0.31	~0.34	
Fiber Parameters					
Numerical Aperture	NA		0.22		
Fiber Core Diameter	µm		200		
Fiber Connector					HP-SMA 905 with Free Standing Fiber Tip
Electrical Parameters ¹					
Power Conversion Efficiency	%	≥35	≥35	≥35	
Threshold Current (I _{TH})	A	≤8	<7.5	<7.5	
Operating Current (I _{OP})	A	≤55	≤55	≤55	
Operating Voltage per Bar (V _{OP})	V	<1.9	<1.9	<1.9	
Thermal Parameters					
Operating Temperature ^{3, 4}	°C		+20 to +30		
Storage Temperature ⁴	°C		0 to +55		
Recommended Heatsink Capacity	W		≥70		

¹Data at 25°C cold plate temperature, unless otherwise stated.

²Reduced lifetime if used above nominal operating conditions.

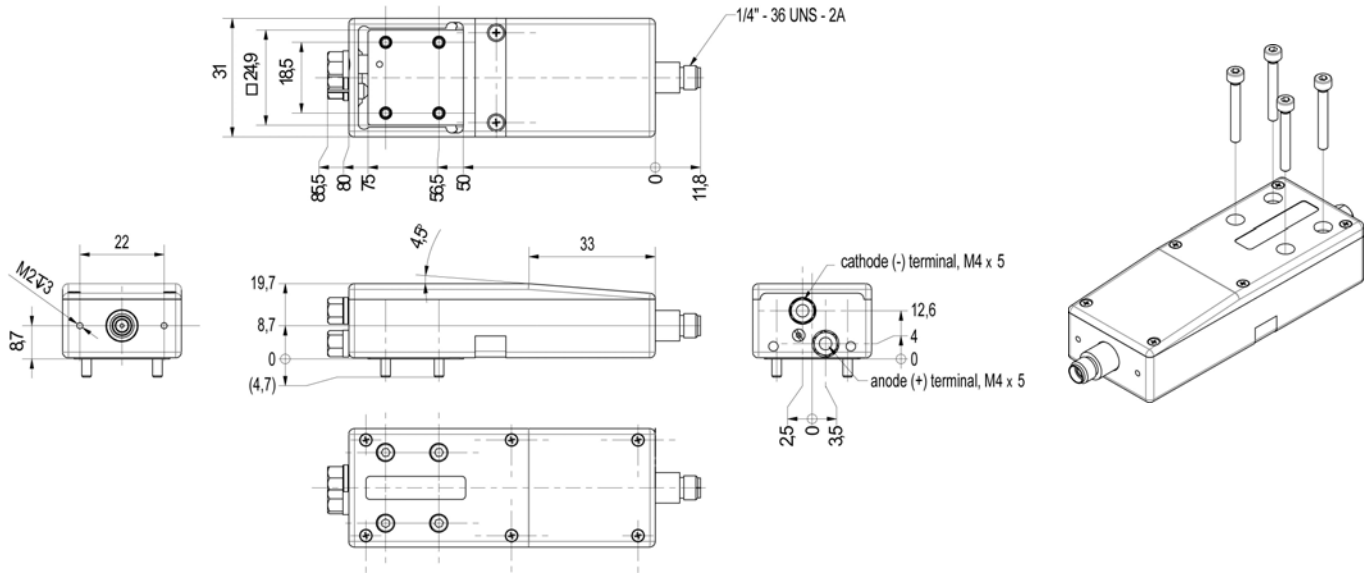
³Others available upon request.

⁴A non-condensing environment is required for storage and operation below the ambient dew point.

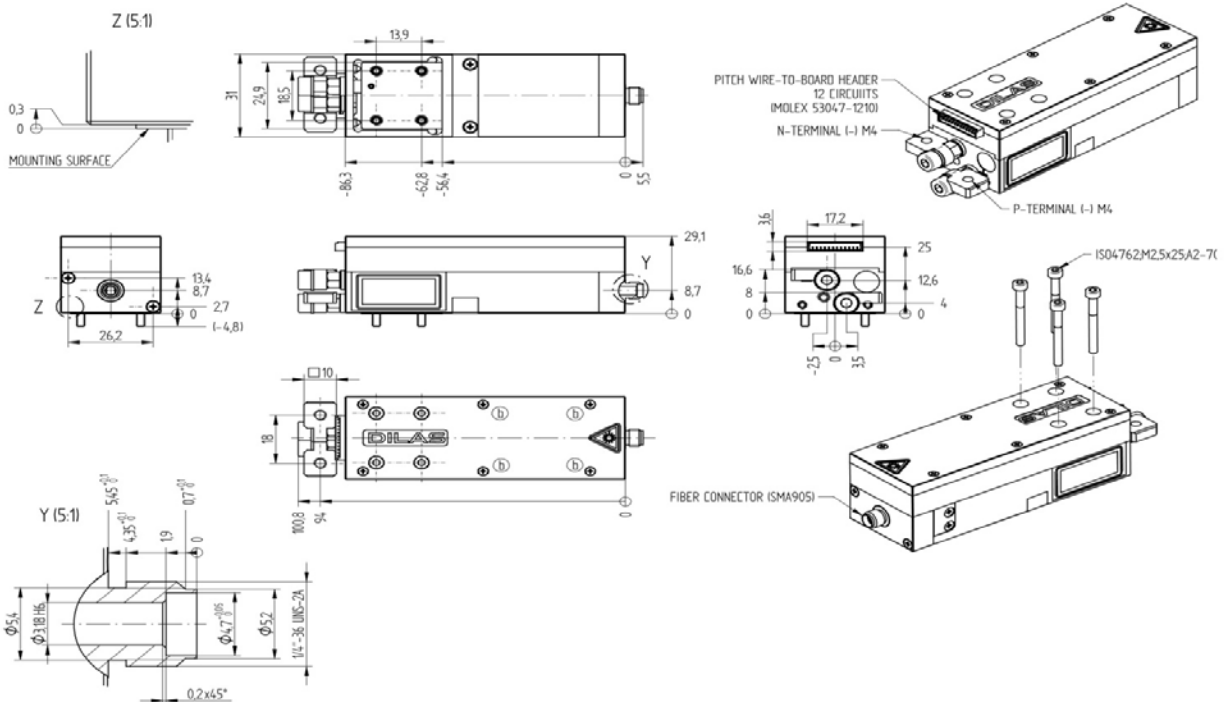
200µm, 30W, 808nm, 915nm, 976nm
 Conduction-Cooled Single Bar, Fiber-Coupled Module

Package Dimension

Module M1F-SS2.1



Module M1F-SS5.2



©2010 DILAS. All rights reserved. DILAS reserves the right to change products specifications without notice. For handling precautions, please reference the general handling instruction manual.

For complete details, please contact your local DILAS sales representative or visit our website at www.DILAS.com.

Europe
 DILAS Diodelaser GmbH
 Galileo-Galliei-Straße 10
 55129 Mainz
 Germany
 Phone: +49 (6131) 9226 0
 Fax: +49 (6131) 9226 257
 Email: sales@DILAS.de

North America
 DILAS Diode Laser, Inc.
 9070 South Rita Road
 Suite 1500
 Tucson, AZ 85747
 Phone: +1 (520) 232-3484
 Fax: +1 (520) 232-3499
 Email: sales@DILAS-INC.com

Asia
 DILAS Diodelaser GmbH
 China Sales Office
 Room 206, Sunplus Technology, Bldg. 2
 No. 1077 Zu Chongzhi Road
 Hi-Tech Park, Shanghai 201203,
 P.R. China
 Phone: +86 (0) 21-6855-2216
 Fax: +86 (0) 21-5027-3793
 Email: sales@dilas-china.com.cn