

Features

- Free standing fiber tip
- High centricity

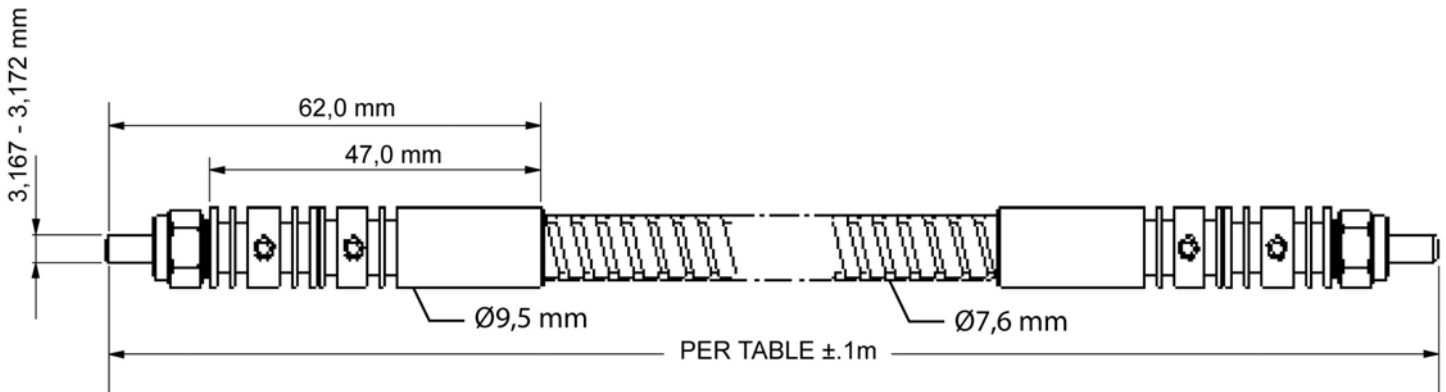


Device Specification

Parameter	Units	
Connector Type		Modestrip SMA 905 both sides, with Free Standing Fiber Tip.
Ferule Diameter	mm	3.167 – 3.172
Outer Diameter (Largest Diameter at Connector)	mm	9.5
Cable Diameter	mm	7.6
Fiber Length ¹	m	2 or 5 ± 0.1
Numerical Aperture	NA	0.22 ± 0.02
Core Diameter	µm	400 ± 8
Cladding Diameter	µm	440 ± 9
Centricity	µm	<6
Long Term Bending Radius (Coil radius)	mm	min. 96
Short Term Bending Radius	mm	min. 48

¹Others on request.

Dimensions



©2009 DILAS. All rights reserved. DILAS reserves the right to change products specifications without notice. For handling precautions, please reference the general handling instruction manual.

For complete details, please contact your local DILAS sales representative or visit our website at www.DILAS.com.

Europe
DILAS Diodenlaser GmbH
 Galileo-Galilei-Straße 10
 55129 Mainz
 Germany
 Phone: +49 (6131) 9226 0
 Fax: +49 (6131) 9226 257
 Email: sales@DILAS.de

North America
DILAS Diode Laser, Inc.
 9070 South Rita Road
 Suite 1500
 Tucson, AZ 85747
 Phone: +1 (520) 232-3484
 Fax: +1 (520) 232-3499
 Email: sales@DILAS-INC.com

China & Taiwan
DILAS Diodenlaser GmbH
 China Sales Office
 Room 206, Sunplus Technology, Bldg. 2
 No. 1077 Zu Chongzhi Road
 Hi-Tech Park, Shanghai 201203,
 P.R. China
 Phone: +86 (0) 21-6855-2216
 Fax: +86 (0) 21-5027-3793
 Email: sales@dilas-china.com.cn