

# Processing Head (PHFS0/PHFQ0) COMPACT Series Diode Laser System

## Features

This processing head with  $f=177\text{mm}$  (standard focal length)<sup>1</sup> is intended to be used with COMPACT Series, along with a SMA or QBH fiber coupling. The processing head is connected to the diode laser using a SMA or QBH fiber, NA 0.22.

Having a compact housing and the mounting plate this processing head can easily be integrated into the laser process creating a line focus with  $35 \times 2$  or  $35 \times 3\text{mm}^3$  dimensions.



## Device Specification

### Optical

		PHFS0-E1-O1	PHFQ0-E1-O1
Connector		SMA	RQB or QBH
Numerical Aperture	NA	0.22	0.22
Focal Length	mm	177.0	177.0
Working Distance (Stand Off) <sup>1</sup>	mm	160.7	160.7
Output Aperture	mm	50.0	50.0
<b>Fiber</b>	<b>µm</b>	<b>600</b>	<b>600</b>
Focal Size <sup>2</sup>	mm	$35 \times 3^{\pm 0.05}$	$35 \times 3^{\pm 0.05}$
<b>Fiber</b>	<b>µm</b>	<b>400</b>	<b>400</b>
Focal Size <sup>2</sup>	mm	$35 \times 2^{\pm 0.05}$	$35 \times 2^{\pm 0.05}$

<sup>1</sup>Consult DILAS Industrial Laser Systems for other available options.

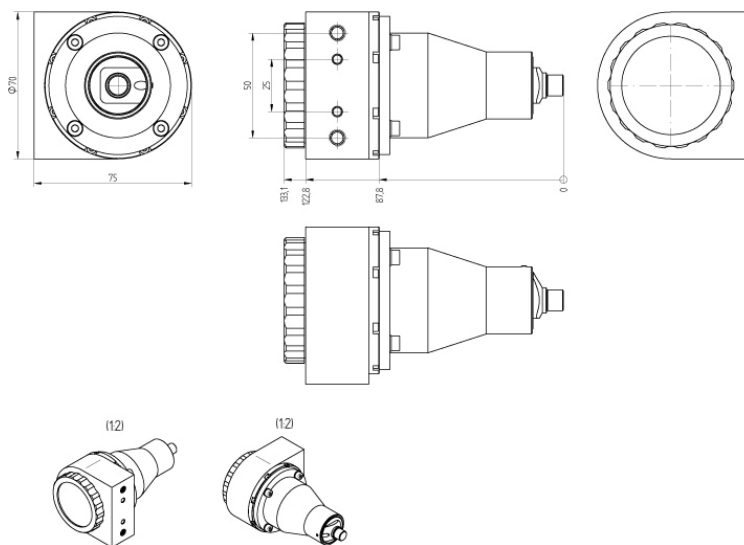
<sup>2</sup>Focal dimensions of diode lasers can deviate in practice depending on measuring method by  $\pm 10\%$ .

<sup>3</sup>With a additional meniscus lens adapter.

<sup>4</sup>For standard focal length  $f=100$

## Package Dimensions<sup>4</sup>

Length	mm	105.05
Diameter	Ø	48



### U.S. CFR Regulation

The manufacturer and subsequent sale of laser equipment is under the guidelines governed by the U.S. Center for Devices and Radiological Health (CDRH). In accordance to those guidelines, specifically Subchapter J of the Radiation Standards, 21 CFR, the diode laser is registered as a CLASS 4 laser product.

### European Commission

In accordance to EN 60825, Safety of Laser Products, the diode laser is registered as a CLASS 4 laser product.

Products specifications are subject to change without notice. For handling precautions, please reference the general handling instruction manual. For additional information, please contact your local sales representative or visit our website at [www.dilas-ils.com](http://www.dilas-ils.com).

**DILAS Industrial Laser Systems**  
a division of DILAS Diodenlaser GmbH  
Galileo-Galilei-Straße 10  
55129 Mainz  
Germany

Phone: +49 (6131) 9226 400  
Fax: +49 (6131) 9226 444  
Email: [sales@dilas-ils.com](mailto:sales@dilas-ils.com)  
[www.DILAS-ILS.com](http://www.DILAS-ILS.com)