

## Features

- Very low smile
- Available with fast-axis collimation
- Heatsink available only on M10



## Device Specification

Optical Parameters <sup>1</sup>	Units	
Center Wavelength Range <sup>3</sup>	nm	638
Center Wavelength Tolerance	nm	±3
Output Power <sup>2</sup> (P <sub>OP</sub> )	W	8
Number of Emitters	#	20
Emitter Size	µm	40
Fill Factor	%	20
Spectral Width (FWHM)	nm	<2.0
Slope Efficiency	W/A	>0.80
Fast-Axis Divergence <sup>5</sup> (90%)	degree	<90
Slow-Axis Divergence (90%)	degree	<10
Wavelength Temp. Coefficient	nm/°C	~0.16

Electrical Parameters <sup>1</sup>		
Power Conversion Efficiency	%	>25
Threshold Current (I <sub>TH</sub> )	A	<4.5
Operating Current (I <sub>OP</sub> )	A	<14
Operating Voltage (V <sub>OP</sub> )	V	<2.20

Thermal Parameters <sup>1</sup>		
Operating Temperature Range <sup>4</sup>	°C	+20 to +25
Storage Temperature Range <sup>4</sup>	°C	0 to +55
Recommended Heat Sink Capacity Per Bar	W	30

<sup>1</sup>Data at 20°C cold plate temperature, unless otherwise stated.

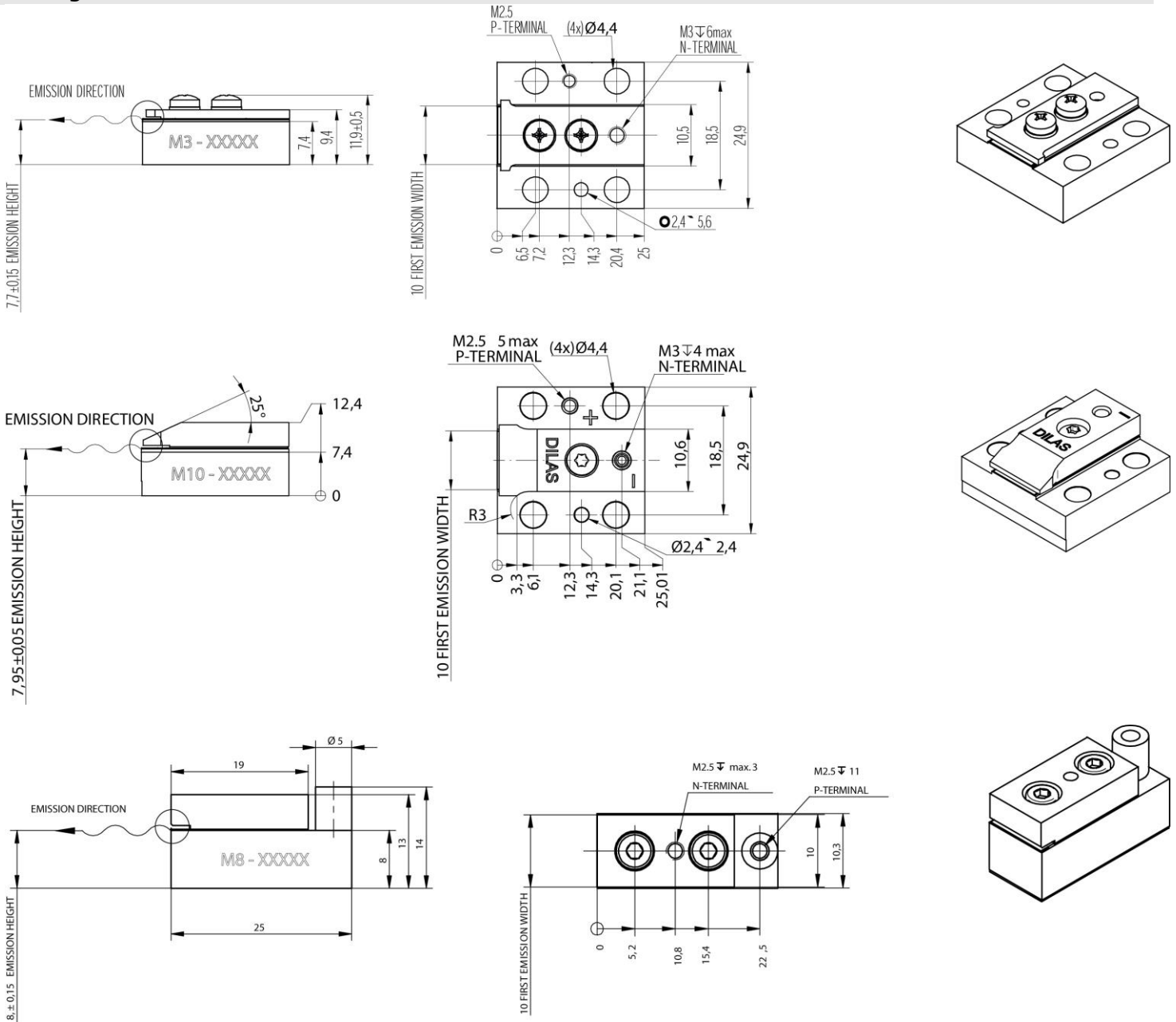
<sup>2</sup>Reduced lifetime if used above nominal operating conditions.

<sup>3</sup>Others available upon request.

<sup>4</sup>A non-condensing environment is required for storage and operation below the ambient dew point.

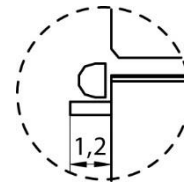
<sup>5</sup>For fast-axis collimation using FAC lens: divergence <8mrad.

## Package Dimension



## Heatsink for MY Diode Laser Bars with Fast-Axis Collimation Lens:

Beam heights available:  
M10 mount = 7.95mm



©2017 DILAS. All rights reserved. DILAS reserves the right to change product specifications without notice. For handling precautions, please reference the general handling instruction manual.

For complete details, please contact your local DILAS sales representative or visit our website at [www.DILAS.com](http://www.DILAS.com).

**Europe**  
**DILAS Diodenlaser GmbH**  
 Galileo-Galilei-Straße 10  
 55129 Mainz  
 Germany  
 Phone: +49 (0)6131 9226 0  
 Fax: +49 (0)6131 9226 257  
 Email: [sales@DILAS.de](mailto:sales@DILAS.de)

**North America**  
**DILAS Diode Laser, Inc.**  
 9070 South Rita Road  
 Suite 1500  
 Tucson, AZ 85747  
 Phone: +1 (520) 232-3480  
 Fax: +1 (520) 232-3499  
 Email: [sales@DILAS-INC.com](mailto:sales@DILAS-INC.com)

**China & Taiwan**  
**DILAS Diodenlaser GmbH**  
 China Sales Office  
 Room 206, Sunplus Technology, Bldg. 2  
 No. 1077 Zu Chongzhi Road  
 Hi-Tech Park, Shanghai 201203,  
 P.R. China  
 Phone: +86 (0) 21-6855-2216  
 Fax: +86 (0) 21-5027-3793  
 Email: [sales@DILAS-CHINA.com.cn](mailto:sales@DILAS-CHINA.com.cn)